

AQUATOP 1 YEAR LIMITED WARRANTY

Products are guaranteed by AQUATOP® Aquatic Supplies to the original purchaser against defective material and workmanship under normal use for a period of 1 year from the date of the original purchase through an Authorized Aquatop Reseller.

Products have no warranty if:

- 1.) The product has been serviced, modified or tampered with by anyone other than AQUATOP Aquatic Supplies,
- 2.) The product has been abused or damaged (including broken or cracked bulbs), and/ or
- 3.) The product has been transported without proper packaging,
- 4.) The product was purchased from an Unauthorized Reseller.

Note: All sales from Amazon and Ebay (regardless of seller) do not qualify for any warranty coverage. Please see www.aquatop.com for more information.

AQUATOP EXCLUSIVE 1 + 1 EXTENDED BRICK & MORTAR STORE WARRANTY

The additional 1 Year Extended Warranty applies when you REGISTER online with Aquatop. Register your Extended Warranty at www.aquatop.com

Note: Extended warranty is available for qualifying products. See www.aquatop.com for a list of qualifying products.

- 1.0. Terms and Conditions of Guarantee.
- 1.1. Aquatop warrants to the purchaser, for 1 Year from date of original purchase through an Authorized Aquatop Reseller, to repair or replace goods where fault is found due to defective materials or faulty workmanship and where goods do not operate in accordance with the instructions.
- 1.2. All claims for repair or replacement must be made at place of purchase.
- 1.3. The original and dated Proof of Purchase (receipt) must be supplied with all goods claims. Please also provide this Guarantee where possible.
- 1.4. The Guarantee covers the Aquarium against gluing breakdown resulting in leakage.
- 1.5. All goods subject to claim under Guarantee should be prepared for transportation in the original packaging or other comparable packaging which offers the same degree of protection.
- 1.6. Where goods are repaired or replaced under Guarantee, these goods are Guaranteed for the remainder of either the original Guarantee or Extended Guarantee period.
- 1.7. Where claims on inspection reveal goods are in normal working order, Aquatop will request reimbursement of all reasonable costs incurred.

WARRANTY LIABILITY DISCLAIMER

In no event will Aquatop® be liable for any consequential or incidental damages, including but not limited to, lost sea life, personal injury, property damage, equipment damage, lost profits, lost wages, lost savings, lost income, etc., arising out of the use of any Aquatop products.

For more information on tank health and maintenance as well as other products carried by Aquatop, visit our website: www.aquatop.com

775 Columbia St. Brea, CA 92821

Tel: (888) 915-2782 (562) 697-9860

www.aquatop.com

V1 /2019



HOC HANG-ON CANISTER FILTER UV Manual V1 / 2019

OWNER'S MANUAL

INTRODUCTION

The AquaTop HOC Hang-on Canister Filter w/ 7W UV is compact, quiet and energy efficient. The HOC UV has a maximum flow rate of 280 GPH and includes an integrated 7W UV Bulb which aids in controlling free-floating algae forming micro-organisms. This unit efficiently filters fresh and saltwater aquariums up to 75 gallons and comes with a multi-stage filtration system equipped with an easy-to-change, drop-in media tray. All the necessary filtration media is included to help keep a healthy aquarium. Fine Filter Pads and a Dense Filter Sponge collect organics into a central location for easy removal, providing excellent Mechanical Filtration, while Activated Carbon provides Chemical Filtration to keep aquarium water crystal clear and free from odor. The included Ceramic Rings help maximize Biological Filtration and offer a porous structure for beneficial bacteria to grow and help maintain safe living conditions for your aquatic creatures to thrive. Plus, the included surface skimmer removes unwanted oil and surface scum from the surface of your aquarium water providing a healthy habitat for your aquatic creatures.

WARNING & SAFETY INFORMATION

It is your sole responsibility to verify that the plug and the receptacle are clean and free of moisture and salt build up at all times. The receptacle must be free of water, salt, calcium, magnesium and dust. Failure to do so can cause fire, damage to property, and permanent damage to the product and personal Injury not limited to loss of life.

1. Read and follow all instructions.
2. A drip loop must be used with all electrical aquarium devices.
A drip loop is a self-made part of the cord hanging below the receptacle. (See Fig. 1)
3. A GFCI (ground fault circuit interrupter) should be used in the branch circuit supplying all power to water pumps and electrical aquarium equipment. If you do not have a GFCI, we strongly recommend having a qualified electrician install one prior to operating any aquarium component.
4. Do not plug into extension cord/power strip.
5. Use this product for its intended use only.
6. Never yank or pull the cord from the electrical outlet.
7. Do not operate if the plug or wire is damaged.
8. Verify that hands are dry prior to disconnecting the power.
9. To reduce the risks of electrocution, keep all connections dry.
10. For indoor use only.
11. If any of the electrical components get wet, unplug immediately.
12. Do not use soaps or detergents when cleaning this device.
Thoroughly clean and rinse with warm water and make sure the device is completely dry before connecting.
13. Keep this product away from children.



(Fig 1.)

SPECIFICATIONS

Model	UV	VOLTAGE/FREQ	POWER	FLOW RATE	FOR TANK SIZES
HC300-UV	7W	110V/60Hz	8W	300GPH	UP TO 75 Gallons

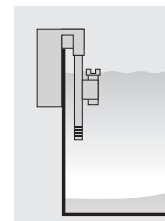
SET-UP & INSTALLATION

Caution:

1. Make sure to power off and unplug the unit before performing any maintenance.
2. Aquatop recommends replacing the UV Bulb every 6-9 months
3. Check for moisture on the inside of the UV quartz tube when performing routine maintenance. If moisture is found, replace the quartz tube as needed.
4. Low level noise or vibration is normal when starting the unit.
5. Do not look directly into the UV lamp when plugged in; UV light may damage your eyesight. Always keep cover on when UV light is in use.

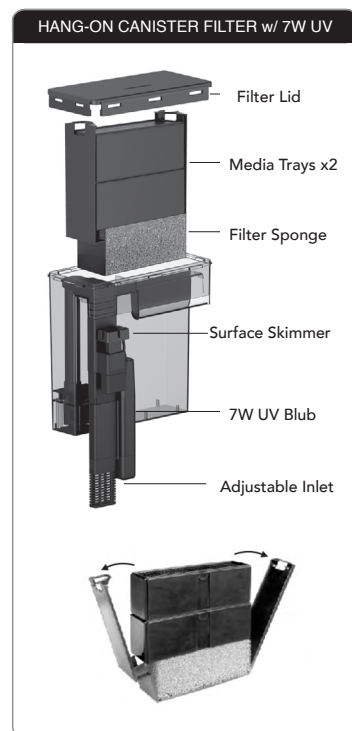
INSTALLATION AND USE:

- Simply hang the HOC UV on your Aquarium Frame using the appropriate stepped fitting. Use the included leveler to adjust the filter. (See Fig 2.)



(Fig 2.)

ROUTINE MAINTENANCE:



- Open the filter cover and remove the media trays.
 - Unhinge the media tray holder and open the media trays.
 - Remove the old carbon cartridge and dispose. Rinse new carbon cartridge and replace. For best performance, replace the carbon cartridge every 30 days.
- NOTE:** The Biological media does not need to be replaced; however, it may need to be rinsed periodically. We recommend rinsing the media in used aquarium water when performing a water change.
- For maximum effectiveness, keep your aquarium waterline at the same level as the Surface Skimmer collection cup.
 - Remove the Filter Lid and fill the filter compartment with water until it is half full. Plug in the filter and allow it to prime. Once the filter has primed, re-install the Filter Lid.