

AQUATOP 1 YEAR LIMITED WARRANTY

Products are warranted by AQUATOP Aquatic Supplies to the original purchaser against defective material and workmanship under normal use for a period of 1 year from the date of the original purchase.

Products have no warranty if:

- 1.) The product has been serviced, modified or tampered with by anyone other than AQUATOP Aquatic Supplies,
- 2.) The product has been abused or damaged (including broken or cracked bulbs), and/or
- 3.) The product has been transported without proper packaging.

WARRANTY LIABILITY DISCLAIMER

In no event will Aquatop® be liable for any consequential or incidental damages, including but not limited to, lost sea life, personal injury, property damage, equipment damage, lost profits, lost wages, lost savings, lost income, etc., arising out of the use of any Aquatop® product.

For more information on tank health and maintenance as well as other products carried by Aquatop, visit our website: www.aquatop.com

775 Columbia St. Brea, CA 92821
Tel: (888) 915-2782 (562) 697-9860

www.aquatop.com
VI /2016



aquatop.com



XYCLONE

PROTEIN SKIMMER



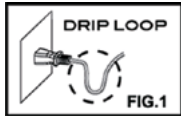
Xyclone PS-370 Protein Skimmer Manual 2016

OWNER'S MANUAL

Thank you for purchasing AQUATOP's PS-370 Xyclone Protein Skimmer. Please read this instruction manual carefully before use, and save it in case it is needed for future reference.

The AQUATOP Xyclone Protein Skimmer is capable of filtering 370 Gallons per hour, making it suitable for Saltwater Aquariums up to 100 Gallons. This powerful Protein Skimmer will help clean your aquarium water by performing foam fractionation, a process that removes dissolved organic waste from your aquarium water before the waste can enter the nitrogen cycle. The flexible design allows for a Hang-on Back application or In-sump installation, and includes a needle-wheel impeller, removable collection cup and a submersible pump.

CAUTION/SAFETY INFORMATION

- 1) Read and follow all instructions.
 - 2) A drip loop must be used when plugging all electrical aquarium devices. A drip loop is the part of the cord hanging below the receptacle. (See Fig. 1)
- 
- 3) A GFCI (Ground fault circuit interrupter) should be used in the branch circuit supplying all power to water pumps and electrical aquarium equipment. If you do not have a GFCI, we strongly recommend having a qualified electrician install one prior to operating any aquarium component.
 - 4) Do not plug into extension cord/power strip.
 - 5) Use this product for its intended use only.
 - 6) Never yank or pull the cord from the electrical outlet.
 - 7) Do not operate if the plug or wire is damaged.
 - 8) Do not operate without water.
 - 9) Verify that hands are dry prior to disconnecting the power.
 - 10) To reduce the risks of electrocution, keep all connections dry.
 - 11) If the product falls into water, do not reach for it. First, unplug the unit. Then retrieve the unit from the water. If any of the electrical components get wet, unplug immediately.
 - 12) Do not use soaps or detergents when cleaning this device. Thoroughly clean and rinse with warm water and make sure the device is completely dry before connecting.
 - 13) For indoor use only.

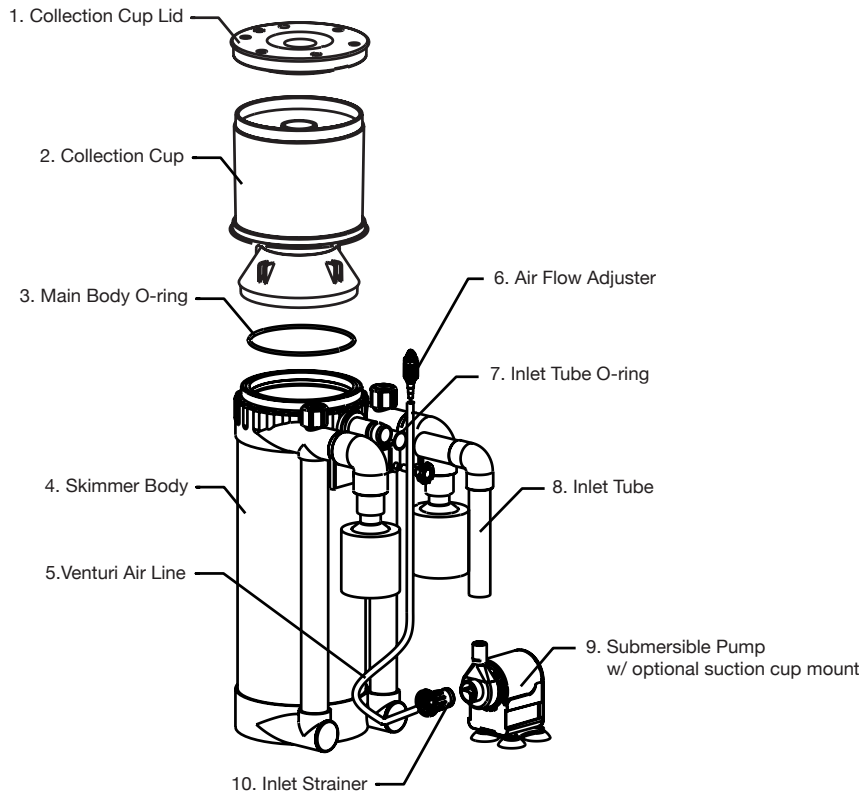
If not functioning properly, please check the following items:

1. Check that the unit is plugged in securely.
2. Inspect the venture airline and the air intake diffuser to make sure they are not clogged.
3. Adjust the outlet flow control valves.
4. Inspect the submersible pump and impeller.
5. Contact the place of original purchase or the manufacturer for additional information.

Note: All protein skimmers generally require a 1 to 2 week "Break-in Period." During this period, the protein skimmer may discharge micro-bubbles into the aquarium (for Hang-on back applications), which is normal. These micro-bubbles will subside after the "Break-in Period" under normal operation. For additional information, please refer to the troubleshooting guide.

WHAT'S INCLUDED

- 1) Collection Cup Lid
- 2) Collection Cup
- 3) Main Body O-ring
- 4) Skimmer Body
- 5) Venturi Air Line
- 6) Air Flow Adjuster
- 7) Inlet Tube O-rings
- 8) Inlet tube
- 9) Submersible Pump
w/ optional suction cup mount
- 10) Inlet Strainer



TROUBLESHOOTING GUIDE

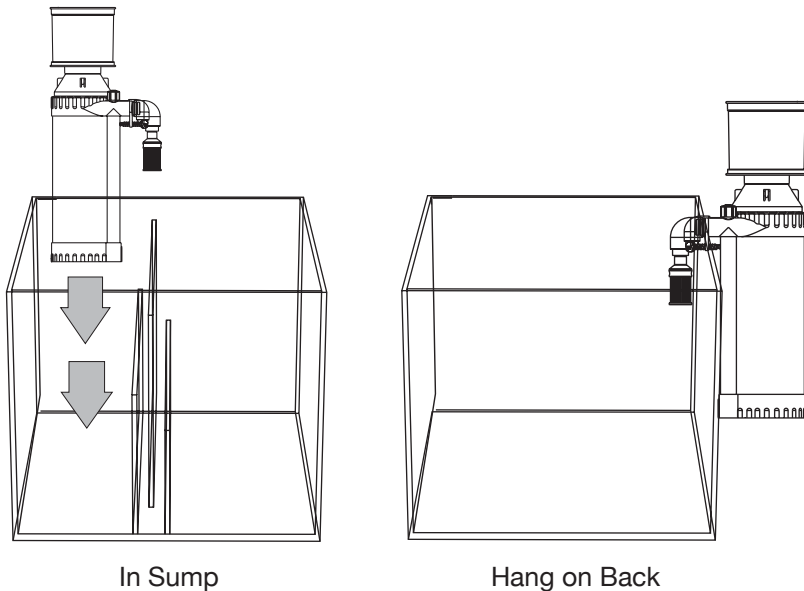
<p>Only water is collecting in the protein collection cup</p>	<ul style="list-style-type: none"> • The Specific Gravity is too high. Adjust to 1.018-1.025. • The use of additives such as water conditioners, medications, and algacides are causing the bubbles to bond longer forcing more water than skimmate into the collection cup. • Replace cotton/carbon filter pad, talk to local fish store to find water conditioners and additives that will not affect the performance of your skimmer. • Decrease the water flow with the outlet adjustment valves. • Aquarium was just cleaned (water change) ; dump collection cup when full, repeat until skimmer functions properly. • Decrease water level inside the PS-370 by lowering the protein skimmer water adjustment.
<p>Small air bubbles are discharging back to the aquarium</p>	<ul style="list-style-type: none"> • The Specific Gravity is too high. Adjust to 1.018-1.025. • Excess gas and nutrients may be over loading the PS-370. New tanks with the addition of uncured live rock cause poor water quality, 20% water changes done daily will help lower excessive nutrients and gas. • Once your skimmer is operating properly, you may choose to fine-tune the skimmer to the driest foam. • Adjust the venturi air-line by opening or closing the venturi air-line adjustment valve and the outlet adjustment valves. Make small adjustments at a time.
<p>Nothing will collect in the Protein Collection cup</p>	<ul style="list-style-type: none"> • There is no Biological load in the aquarium. • Verify the Specific Gravity is 1.018-1.025, if not adjust the Specific Gravity . • Make sure the water level control is in highest position. • The Venturi air-line needs to be cleaned or replaced. • All skimmers have a break-in period of 1 to 2 weeks, Set up and wait without making any adjustments.

ASSEMBLY & SET-UP:

- 1) Connect the inlet strainer and the venturi air line to the submersible pump.
- 2) Connect the submersible pump to the inlet tube using the lock nut fastener.
- 3) Install the protein skimmer in the designated area. The PS-370 can be mounted in-ump or hanging on the back of your aquarium.
- 4) Secure the protein skimmer to the glass or acrylic panel using the included fastening bolts.
- 5) The venture air line should not have any bends, kinks or loops. Also, the air flow adjuster should be placed above the water line, and in the open position to allow air to enter the system.
- 6) Make sure that the submersible pump is completely submerged underwater during operation.
- 7) Plug in the PS-370 into an electrical outlet. Make sure to create a drip loop.
- 8) Empty the collection cup once a week or as needed.

Note: If using the optional suction cup mount for the submersible pump, be advised the inlet tube may need to be cut to shorter length to allow the protein skimmer to sit level on the sump floor.

HOW TO INSTALL THE PS-370 XYCLONE PROTEIN SKIMMER (SEE INSTALLATION DIAGRAM)



MAINTENANCE

- 1) Unplug the PS-370 from the electrical outlet.
- 2) Gently remove the collection cup from the skimmer body.
- 3) Empty out the contents of the collection cup and then rinse the cup with clean, warm water.
- 4) Place the collection cup back onto the skimmer body.

CLEANING/REMOVING THE SUBMERSIBLE PUMP

- 1) Unplug the submersible pump from the electrical outlet before performing any maintenance.
- 2) Remove Skimmer from designated location and drain any excess liquid.
- 3) Loosen the lock nut fastener on the inlet tube and remove the submersible pump.
- 4) Rinse pump with clean, warm water.
- 5) Re-install pump by performing the above steps in reverse.

CLEANING/REMOVING THE IMPELLER

- 1) Turn the impeller cover slightly counter-clockwise to remove.
- 2) Gently remove the impeller from the pump motor.
- 3) Clean impeller with clean, warm water.
- 4) Re-install impeller by performing the above steps in reverse.

Caution: When removing/installing the impeller cover, rotate the cover using the edges of the cover. DO NOT rotate the impeller cover using the venturi inlet. This may cause the venturi inlet to break and will void your warranty.